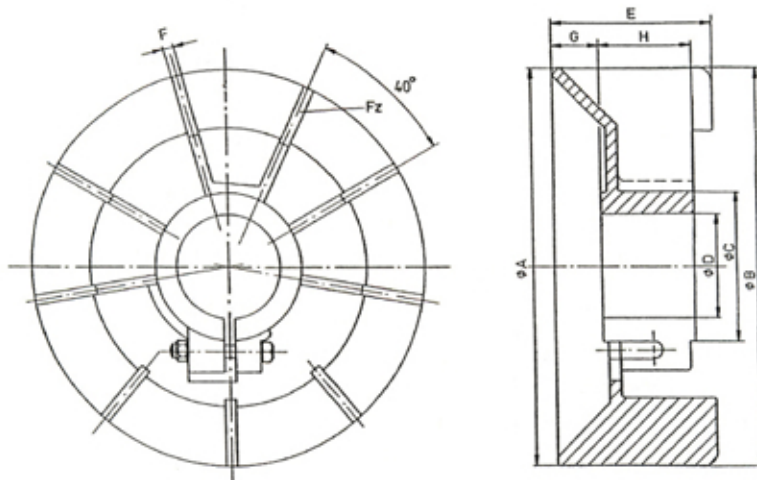




GM V200-225 AL series

MOTOR COOLING FANS GM V200-225 AL series



Type	A Ø	B Ø	C Ø	D Ø	E	F	G	H	Fz	SP BL
V200A/60	230	250	80	60	62	5	15	42	9	M8×50
V225 A/60	190	190	80	60	62	5	3,5	50	9	M8×50
V225 A/65	240	260	86	65	97	5	15	61	9	M8×55